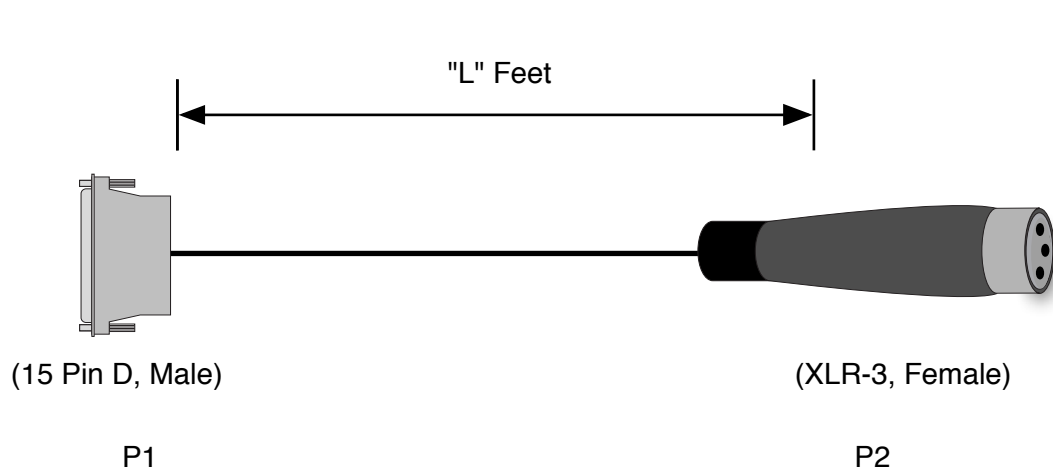


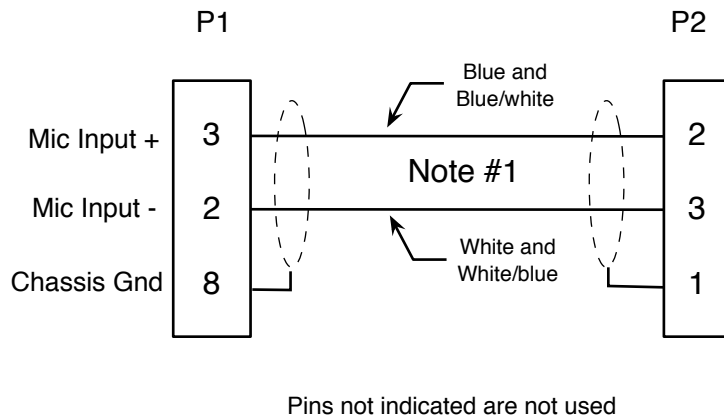
## Cable Layout:



**CA-D15M-X3F-L-B\_02**

*Length in Feet*


## Wiring Information:



### Notes:

1. Wire as shown in schematic - note drain wire connections.
2. 15 pin DB-15 female connector: Use high quality supplier such as AMP or equivalent.
3. Female XLR-3 connector
4. Use low capacitance, shielded, star quad, high flex audio cable P/N Belden 1192A.
5. Wiring and cable layout as shown.

Rev	Date	Originator	Description
01	10-6-06	NKW	Original release
02	4-15-09	CJA	Added information table

 <b>ADVANCED SIMULATION TECHNOLOGY inc.</b> 500A Huntmar Park Drive, Herndon, VA 20170 <a href="http://www.asti-usa.com">www.asti-usa.com</a>	
Cage Code	OVFW3
Title	Audio Cable, Iris to XLR 3pin female, mic input
Dwg #	CA-D15M-X3F-L-B_02
Sheet	1 of 1

Industry connector Sub Group	ASTi Part Number Sub Group	Source Device	ASTi Part Number	Current Revision Number	Description & Case Use	Special Notes
DB15	D15*	ACU, ACU2	CA-D15M-X3F-L-B	02		